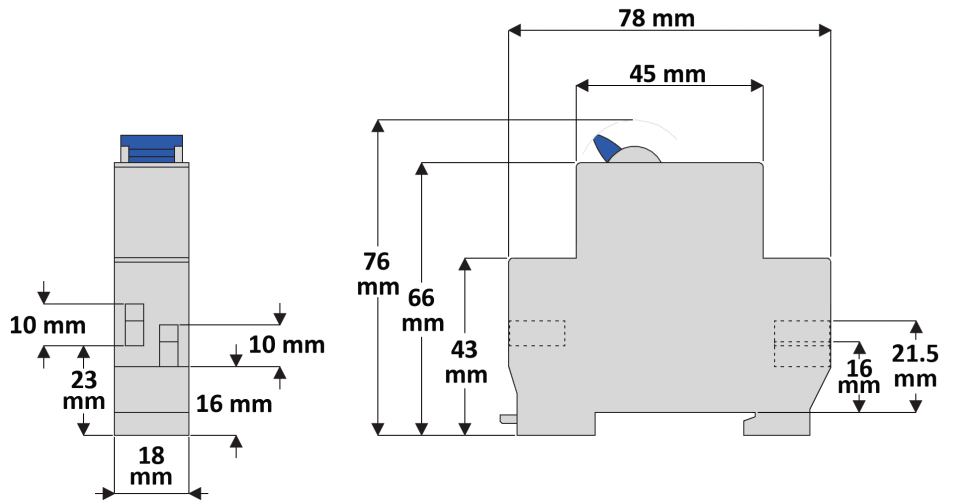


Gtec 4.5kA 1p+N MCBs



The Gtec 1 pole + Neutral is ideally suited for applications with limited space. It provides circuit protection for a single phase with a switched neutral in a single module design.

Gtec 1p+N Technical Specification

Number of Poles	Single Pole + Switched Neutral
Current Range	6 - 40A
Rated Voltage	230 Vac
Breaking Capacity	4.5kA
Trip Curves	B and C to EN60898
Width	Single module (18mm)
Terminal Tightening Torque	1.2Nm - 2Nm

Gtec 1p+N Ordering Scheme

